



Tracer Air **LTTA-OCM**

80GHz NON-CONTACT RADAR LEVEL TRANSMITTER
FOR OPEN CHANNEL APPLICATIONS



DESCRIPTION

The Tracer Air™ Radar Level Transmitter is accurate, easy to use and cost efficient. Featuring through the air technology, the radar level antenna emits a narrow 6° microwave beam that transmit down the antenna.

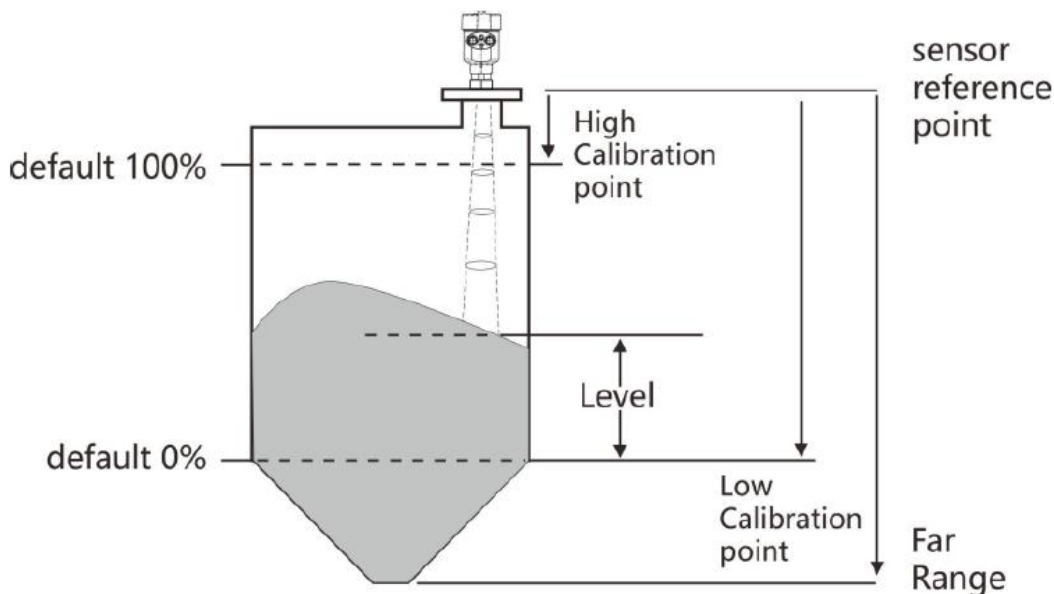
The 80 GHz signal comes into contact with the application surface then reflects back to the device. The Tracer Air™ is pre-calibrated at our facility for easy of installation. The Compact size (2" diameter lens) make the Tracer Air® an ideal choice in applications including aggressive, corrosive or non-corrosive liquid level monitoring, streams and rivers, Open Channel Flow and difficult measurement applications. FMCW Radar technology provides a smaller beam angel (6°) than typical through air radar devices.

FEATURES & BENEFITS

- Small size, non-contact radar, rugged design
- Pre-calibrated for easy installation and setup
- No moving parts with FMCW Radar Technology
- 80GHz FM continuous wave, 6° measurement beam angle
- Stable measurement and control for the complex measurement environment in urban underground.
- The adaptive algorithm for river waters and streams can effectively measure waves and turbulent liquid levels effectively
- High-frequency millimeter-wave radar, with high measurement accuracy (+/- 1mm) and strong stability.
- Various external output modes are available (NB, 485), suitable for integration of various IOT platforms

80GHZ TECHNOLOGY

The Tracer Air™ 80GHz radar level transmitter features through the air technology which emits narrow microwave pulses down the cone shaped antenna. The microwave signal comes in contact with the measured medium surface and reflects back to the antenna. The signal is transmitted to the electronic circuit and partly converts to level signals (as microwave featured with high propagation speed, it is almost instantaneous for the electromagnetic waves to reach the target and return to the receiver).



SPECIFICATIONS

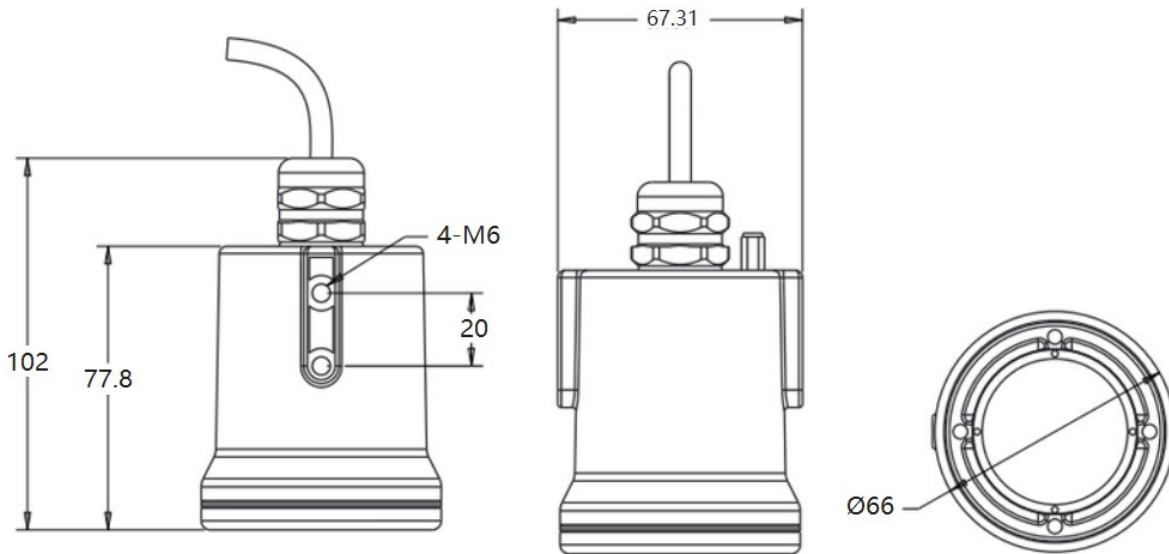
Measuring Range	Minimum Range: 0.25' Maximum Range: 398'
Process Connection	Bracket Installation
Antenna Material	Aluminum or PP with PTFE Protection: IP68
Accuracy	±0.1in or +/- 1 mm
Application Temperature	-40°F up to 1,832°F (-40°C to 1,000°C)

Process Pressure	Full Vacuum to 498 PSIG -0.1 ~ 3.0 Mpa
Frequency Range	80GHz FMCW
Signal Output	RS485/Modbus
Cable Entry	1/2 NPT
Hazardous Location	Intrinsically safe (Exia IIC T6 Ga)

Specifications are subject to change without notice.

PLASTIC ENCLOSURE DIMENSIONS (mm) (LTTA-OCM-2P)

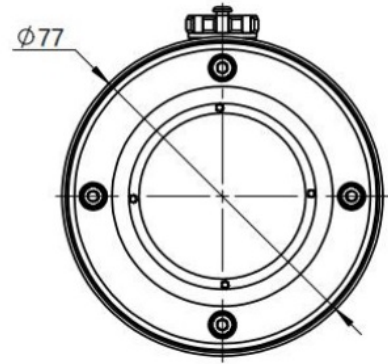
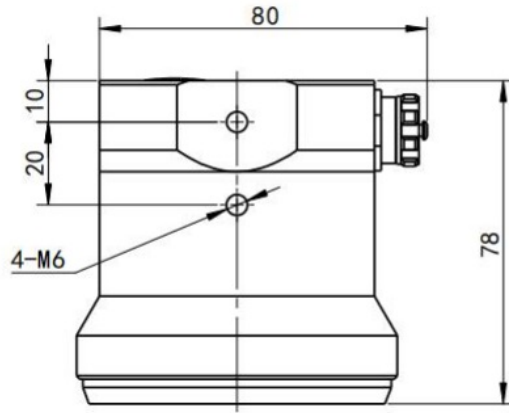
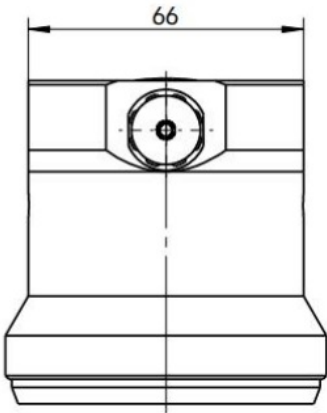
Height - 3.0"
Diameter = 3.0"



ALUMINUM ENCLOSURE DIMENSIONS (mm) (LTTA-OCM-4A)

Height = 4.0"

Diameter = 2.65"



Ordering Information

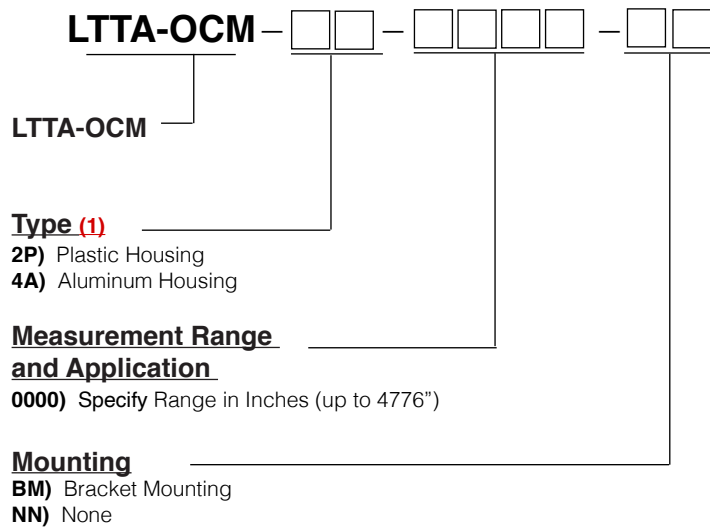
FLO-CORP MODEL NUMBER BUILDER

For Assistance Call **877.356.5463**

Use the diagram below, working from left to right to construct your FLO-CORP Model Number.
Simply match the category to the corresponding box number.

Example: **LTTA-OCM-2P-2505-NN**

Tracer Air™ 80GHz Radar Level Transmitter for Open Channel Application, Plastic Housing, 2,505 inch Measuring Range, No mounting bracket



Ordering Notes:

(1) Select the best configuration based on your requirements