



ULTRAFLO™ ULTRASONIC FLOW METER (UFD3S)

Ultrasonic Clamp-on Flow Meter for Small Pipes

The UltraFlo™ UFD3S Clamp-On Ultrasonic Flow Meter is the ideal flow meter for small pipes with accurate, easy-to-use, easy-to-install digital ultrasonic technology. The UltraFlo™ UFD3S is offered as a fixed permanent mount installation. The UFD3S is extremely rugged, reliable and durable. The flow meters are housed in a NEMA 4X fully sealed enclosure to withstand the most severe conditions. The patented Digital Ultrasonic technology will measure just about any liquid or fluid from potable water to oils and chemicals and fly ash slurries. The easy to read LCD alpha-numeric display, versatile AC & DC power operation, digital communications, batch control and data log events are all packaged in an affordable industrial design. Because the UltraFlo™ UFD3S sensors are clamped onto the outside of the pipe, the installation costs are a fraction of installed costs of traditional in-line flow meters. Plus, the sensors and electronics are immune to the process conditions regardless of process pressures, temperatures and build-up or scaling conditions. The Digital Ultrasonic transducers will mount to just about any size pipe regardless of pipe wall thickness and any pipe material.

PRODUCT FEATURES

UltraFlo UFD3S adopts a new external clamp design, which measures the flow rate without contacting the measurement medium. Compared with other traditional flow meters, this could avoid pressure loss or media contamination problems and reduces installation and startup cost.



TYPICAL APPLICATIONS



Agriculture



Chemical & Petrochemical



Environmental Water & Wastewater



Iron, Steel, & Metal



Minerals & Mining



Oil & Gas



Renewable Energy

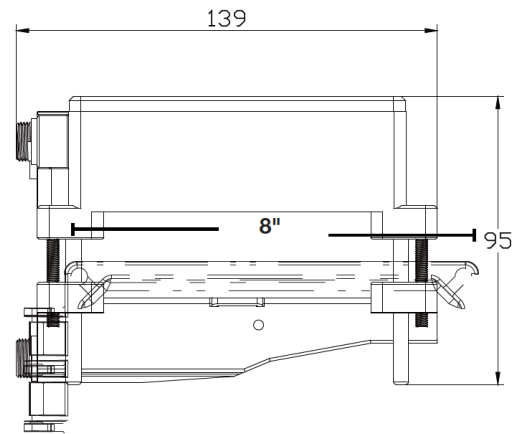
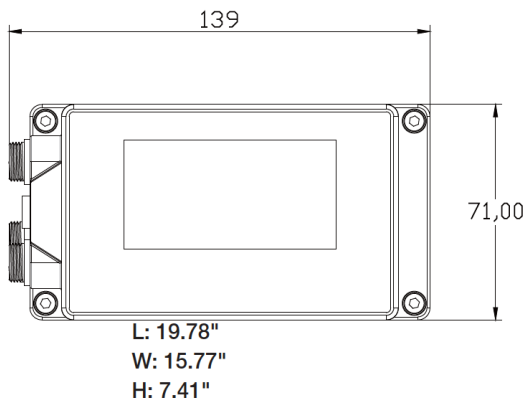


Power & Energy

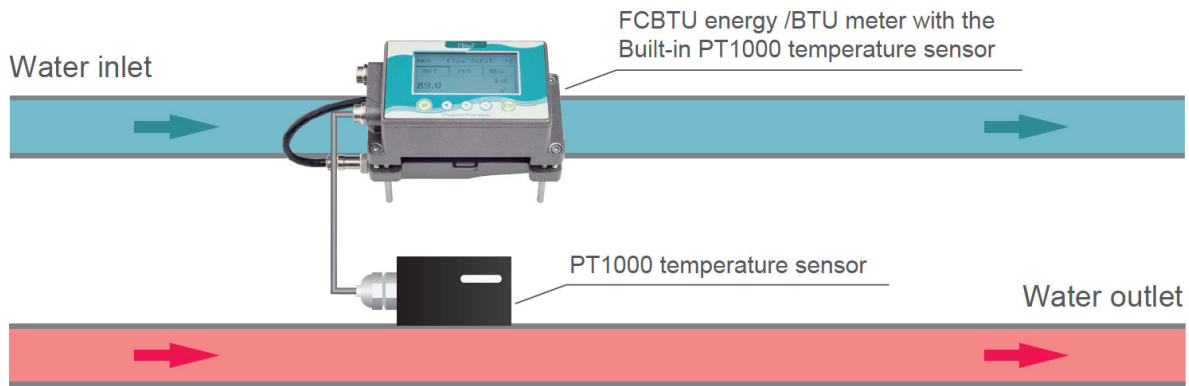
SPECIFICATIONS

Pipe material	Metal /PVC, PP or PVDF rigid plastic pipe
Liquid type	Water/other liquid (Single liquid medium without solid particles or impurities)
Temperature range	0-75°C (No freezing on the surface)
Low velocity cut off value (Default by factory)	0.1m/s
Display	256*128, LCD
Response time	0.5~60s
Accuracy	±2%, (±1% after calibration)
Data Storage period	300ms
Memory for data backup	EEPROM (Data storage: over 10 years, data read/write frequency: over 1 million times)
Power and I/O connection	M12 type aviation plug
Output	4-20mA
Communication	Modbus RS485
(Options for output)	OCT (pulse output)/ One relay alarm (please contact the factory)
Power supply	10-24V VDC
Electric power	< 3W
Protective circuit	Power reverse connection protection, Power surge protection,
	Output short circuit protection, Output surge protection
Enclosure protection class	IP65
Environment temperature	-10 to 60°C (No freezing)
Relative humidity	35 to 85% RH (No condensation)
Vibration resistance	10 to 55 Hz
	double amplitude 1.5 mm, 2 hours in each XYZ axis
Impact resistant	100 m/s ² 16 ms pulse, 1000 times each for X, Y and Z axis
Main material	Aluminum, Industrial Plastics
cable length	2m(standard), PT1000 sensor standard cable length is 9m

DIMENSIONS (inches)



ULTRASONIC ENERGY / BTU METER



FLOW RANGE

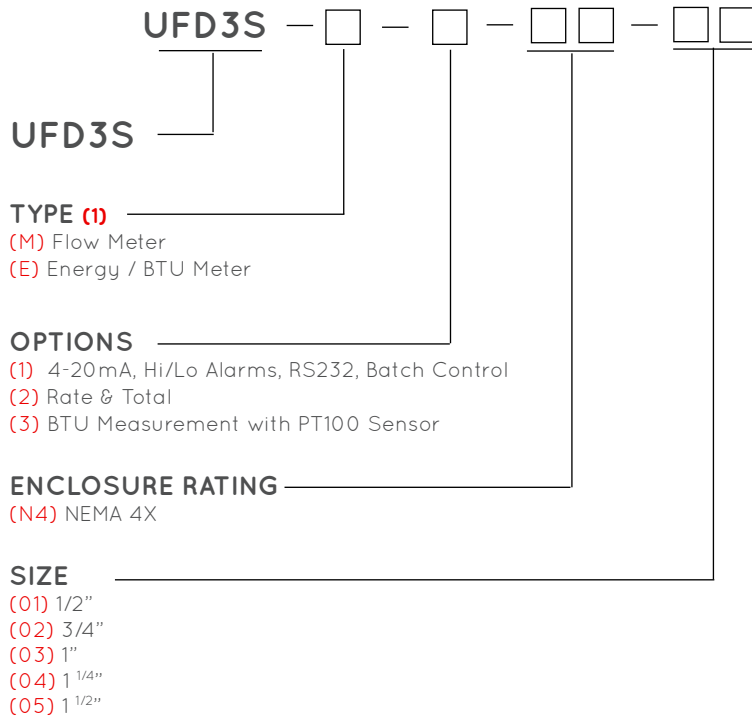
Pipe size (INCH)	Upper flow value (L/min)
1/2	60 L/m
3/4	100 L/m
1"	200 L/m
1 1/4	300 L/m
1 1/2"	400 L/m

Notice: The minimum measurable pipe size is the inner diameter $\geq 12\text{mm}$

ORDERING INFORMATION

FLO-CORP MODEL NUMBER BUILDER

For Assistance Call **877.356.5463**



ORDERING NOTES

- (1) Select the best configuration based on your requirements