



PDFlo™ PDTX4

FOUR-WIRE METER MOUNTED FLOW TRANSMITTER



DESCRIPTION

The PDFlo™ PDTX4 is a four-wire, meter mounted digital flow transmitter that is compatible with most PDFlo flow meters. A large, back-lighted LCD graphic display provides an easy to read indication of flow rate or total in user programmable engineering units. To change any key functions, simply use the magnet that is attached. No opening of the enclosure is required. To prevent the magnet from entering the programming mode inadvertently, an on board jumper controls ability to allow programming via external magnet. An isolated input also allows for remote rest of the totalizer. A 4-20 mA rate output with user programmable filtering and scaling is also provided for remote indication.

FEATURES & BENEFITS

- Digital meter mounted flow transmitter
- Flow rate / total screens
- 4-20 mA rate output and scaled pulse output
- Gate time function
- HART communication protocol (optional)
- Test point for external frequency input
- Programmable outputs
- Magnetically select any key function
- Explosion Proof (optional)

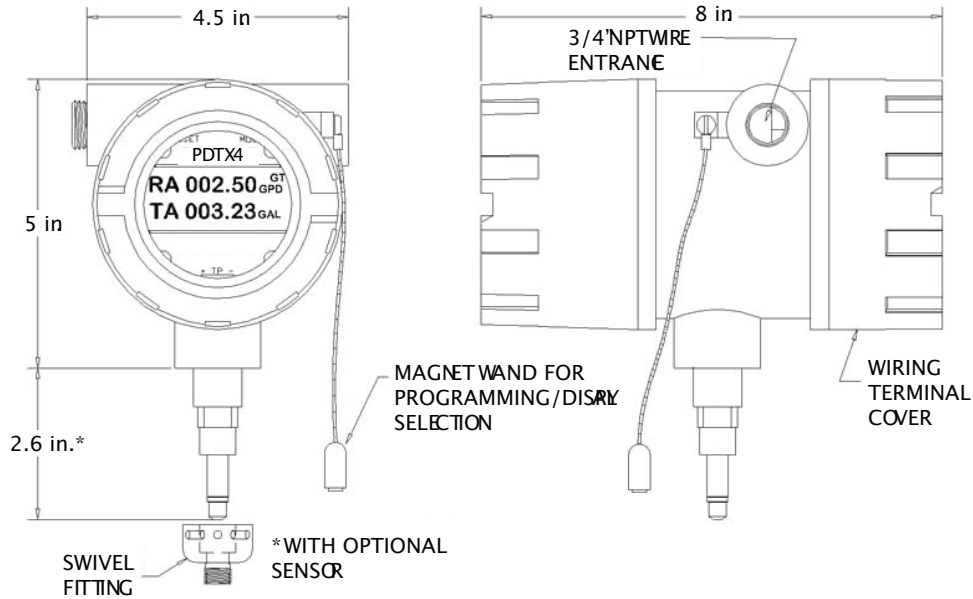
SPECIFICATIONS

Power Requirement	15-24 VDC/150 mA (Customer Supplied)
Analog Output 4-20 mA	16-bit isolated loop powered 2-wire output; 12-27 VDC loop supply Max. Load Impedance: 500 Ohm @ 27V; 250 Ohm @ 12V
Enclosure Certifications	Class I, Groups B, C, D; Class II, Groups E, F, G; Class II; NEMA 4X; 7BCD, 9EFG CSA Certifications: Class 1 Div. 1, Class II, Div. 1

Sensor/ Transmitter Frequency Range	0-4000 Hz
Temperature Ratings	-4° to 140°F (-20° to 60°C) Ambient
Conduit Entry	3/4" NPT Conduit Entry
Two Opto-Isolated Open-Collector Outputs	5-30 VDC Rating, 50 mA Max. (Min. Load Impedance Required, 600 Ohm @ 30 VDC)
Opto-Isolated Reset Input	5-30 VDC Input, 3.3 Kohm Impedance

Note: Please Consult Factory for Special Requirements

DIMENSIONS



Ordering Information

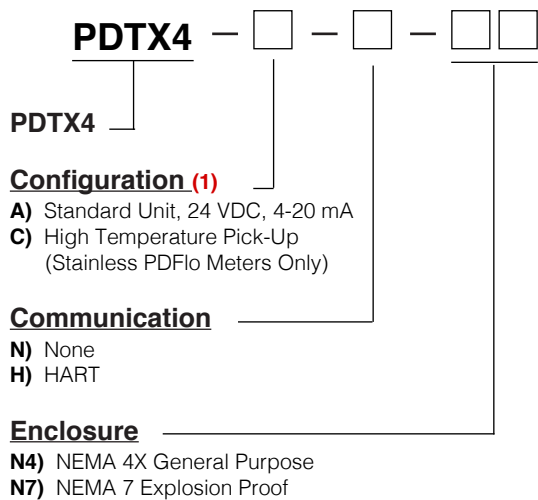
FLO-CORP MODEL NUMBER BUILDER

For Assistance Call **877.356.5463**

Use the diagram below, working from left to right to construct your FLO-CORP Model Number. Simply match the category number to the corresponding box number.

Example: PDX4-A-N-N4

PDFlo PDX4 4-Wire meter mounted flow transmitter with standard unit, 24VDC, 4-20mA configuration, no communication and NEMA 4X enclosure



Ordering Notes:

(1) Select the best configuration based on your requirements.