

OPERATING INSTRUCTIONS

FLOSENTRY 3™ MFFS3 PVC & CPVC FLOW METER



DESCRIPTION

Compatible with most MEMFlo meters, FloSentry 3™ flow switch is a great choice for a variety of single or dual alarm applications. FloSentry 3™ provides a high/low or high and low level switch with a dry contact relay output and is DC powered. This alarm system can be added to most MEMFlo flow devices to provide intelligent process automation as well as safety capabilities. The red LED alert light brings immediate attention to process conditions. Typical applications include process lube oil flow, gas flows, biodiesel fuel manufacturing, chemical processing, biomedical, coolant system, water and wastewater treatment facilities.

FEATURES & BENEFITS

- Adds reliable alarm switching to most MEMFlo flow meter models
- Warns of undesired flow deviations in process lines such as seal water, coolants, water and waste treatment, lubrication, boiler feed water & annealing atmospheres
- Reliable single or dual alarm
- Non-contacting electronics - electronics never come in contact with the flow media
- Easy access for switch adjustment without interrupting flow meter operation

SPECIFICATIONS

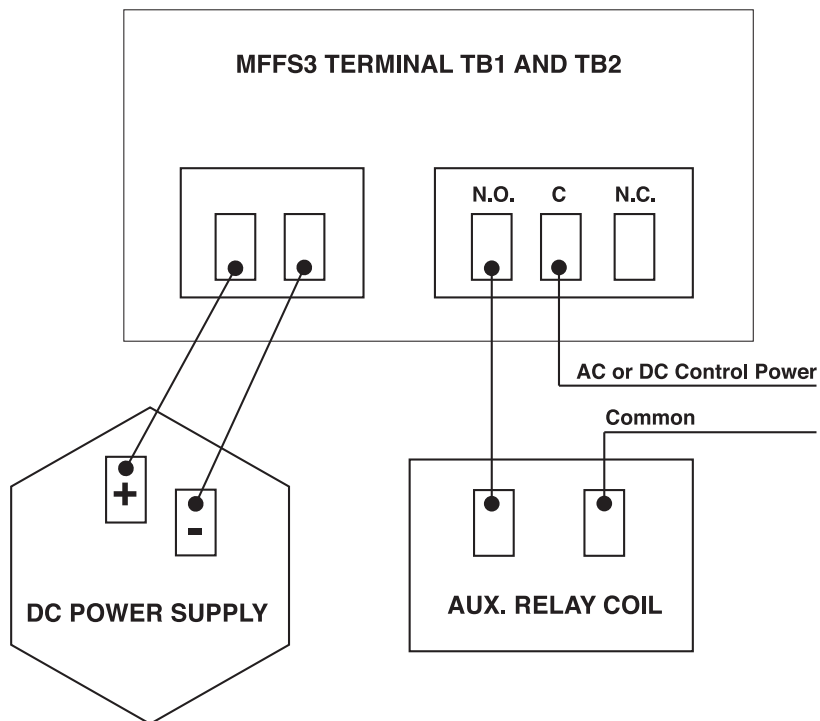
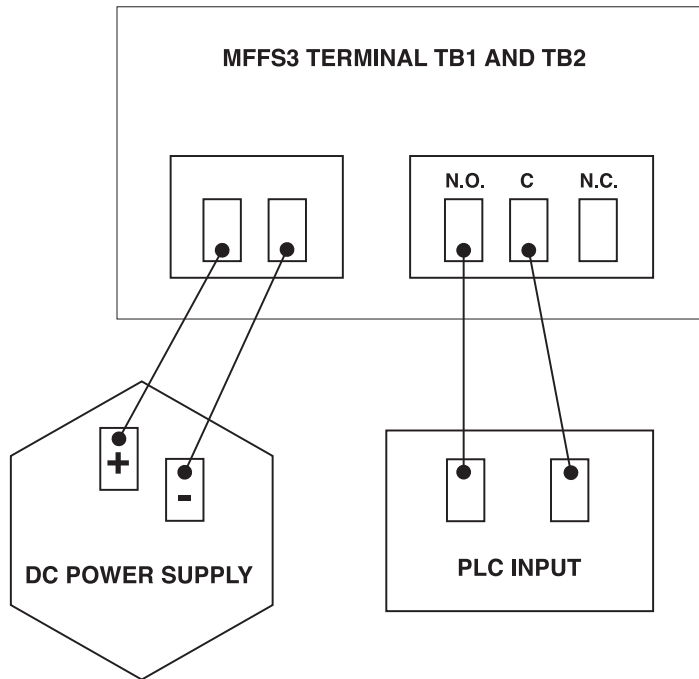
Switching Type	Relay for connection to contact inputs of a PLC or audible or visual alarm, Solenoid Valve or any device using a Form C - Dry Contact
Single or Dual Relay Option	N.O or N.C 10 amp rated Form C
Supply Voltage	10 – 31 VDC
Load Current Max	250 mA
Voltage Drop	<1 V
Power Consumption Max	825W
Protection Class	NEMA 4X or NEMA 7 Cl 1, Div. 1 IP66/67

Note: Please Consult Factory for Special Requirements

BASIC OPERATION

MEMFlo FloSentry 3™ flow switch consists of two main components - the MEMFlo flow meter and the FloSentry 3™ switch assembly. FloSentry 3™ is a single or dual alarm set point. The Hall Effect Sensor is enclosed in a field enclosure rated either NEMA 4X or NEMA 7, depending upon the area classification. The sensor is then mounted over the MEMFlo flow meters measuring tube. The assembly can be adjusted either up or down depending on high flow switching or low flow switching.

WIRING



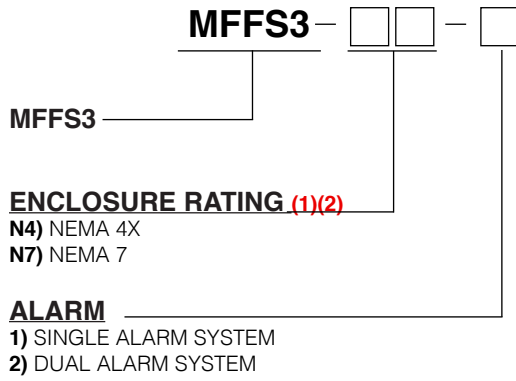
Ordering Information

FLO-CORP MODEL NUMBER BUILDER

For Assistance Call **877.356.5463**

Use the diagram below, working from left to right to construct your FLO-CORP Model Number.
Simply match the category number to the corresponding box number.

Example: MFFS2-N4 FloSentry 3™ with NEMA 4X Enclosure Rating



DUAL ALARM



SINGLE SENSOR



Ordering Notes:

- (1) Please note that this device can ONLY be used in addition to a MEMFlo Flow Meter.
- (2) If ordering this device for an existing MEMFlo meter, please contact factory with flow range.

Warranty Policy

FLO-CORP (Flow Line Options Corp.) warrants to the original purchaser of its products that such products will be free from defects in material and workmanship under normal use and service for a period which is of twelve months from the date of purchase.

This warranty covers only those components of the products which are non-moving and not subject to normal wear. Moreover, products which are modified or altered will not be covered under warranty.

Flow Line Options obligation under this warranty is solely and exclusively limited to the repair or replacement, at Flow Line Options decision, of the products (or components thereof) which Flow Line Options' examination proves to its satisfaction to be defective. FLOW LINE OPTIONS SHALL HAVE NO OBLIGATION FOR CONSEQUENTIAL DAMAGES TO PERSONAL OR REAL PROPERTY, OR FOR INJURY TO ANY PERSON.

This warranty does not apply to products which have been subject to electrical or chemical damage due to improper use, accident, negligence, abuse or misuse. Abuse shall be assumed when indicated by electrical damage to relays, reed switches or other components. The warranty does not apply to products which are damaged during shipment back to Flow Line Options' factory or designated service center or are returned without the original casing on the products. Moreover, this warranty becomes immediately null and void if anyone other than service personnel authorized by Flow Line Options attempts to repair the defective products. Products which are thought to be defective must be shipped prepaid and insured to Flow Line Options' factory or a designated service center (the identity and address of which will be provided upon request) within 30 days of the discovery of the defect. Such defective products must be accompanied by proof of the date of purchase.

Flow Line Options further reserves the right to unilaterally waive this warranty and to dispose of any product returned to Flow Line Options where: a. There is evidence of a potentially hazardous material present with product. b. The product has remained unclaimed at Flow Line Options for longer than 30 days after dutifully requesting disposition of the product.

THERE ARE NO WARRANTIES WHICH EXTEND BEYOND THE DESCRIPTION ON THE FACE OF THIS WARRANTY. This warranty and the obligations and liabilities of Flow Line Options under it are exclusive and instead of, and the original purchaser hereby waives, all other remedies, warranties, guarantees or liabilities, express or implied. EXCLUDED FROM THIS WARRANTY IS THE IMPLIED WARRANTY OF FITNESS OF THE PRODUCTS FOR A PARTICULAR PURPOSE OR USE AND THE IMPLIED WARRANTY OF MERCHANT ABILITY OF THE PRODUCTS.

This warranty may not be extended, altered or varied except by a written instrument signed by a duly-authorized officer of Flow Line Options Corp. For complete terms and conditions please visit www.FLO-CORP.com