



## DESCRIPTION

The CalFlo™ CFVF2 Thermal Mass Liquid Flow Meter is a great choice for a wide range of liquid applications. The CFVF2 provides high accuracy measurement of flow, including very low flow rates, using a solid state design with NO moving parts. The CFVF2 features an adjustable measuring range, easily adjusts to variable insertion depths, and fit pipes up to 24" in diameter. Typical applications include potable water, non-potable water, deionized water, sulfuric acid, light oil, and diluted corrosive liquids.

## FEATURES & BENEFITS

- Ideal for handling aggressive and hard to measure media
- Compact, rugged industrial design
- High-accuracy with NO moving parts
- Easy insertion depth adjustment for pipes up to 24" in diameter
- Adjustable measuring range
- Easy to install

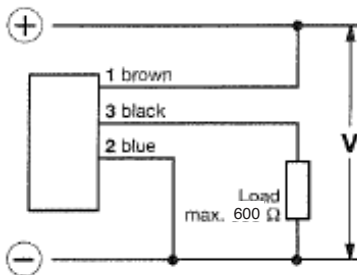
## SPECIFICATIONS



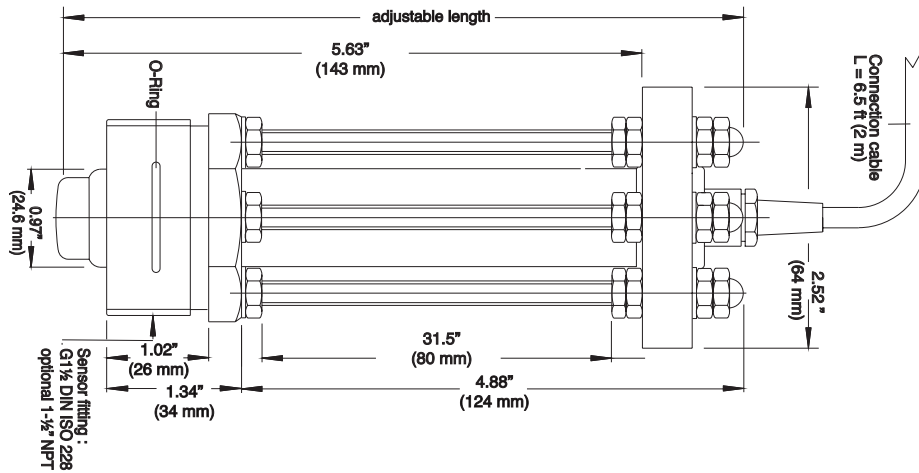
<b>Service</b>	Compatible Liquids
<b>Measuring Range</b>	0.25 to 10 fps (3 mps)
<b>Pressure</b>	261 psi (18 bar)
<b>Accuracy</b>	< 3%
<b>Repeatability</b>	< 1% / Response time to flow rate change 10 sec. typ.
<b>Supply Voltage</b>	24 VDC ± 10%
<b>Consumption</b>	Approx. 100-200 mA
<b>Output</b>	4-20 mA
<b>Resistive Load</b>	0-600 Ohm
<b>Process Temperature</b>	F: 32° to 176° C: 0 to 80°
<b>Ambient Temperature</b>	F: -4° to 160° C: -20° to 70°
<b>Enclosure Rating</b>	NEMA 4X (IP65)
<b>Enclosure Material</b>	Stainless Steel
<b>Sensor Fitting</b>	1½" NPT
<b>Cable</b>	
<b>Cable Jacket Material</b>	Oiflex
<b>Cable Length</b>	6.5' (2m)

Note: Specifications subject to change without notice

## CONNECTION DIAGRAM



# DIMENSIONS



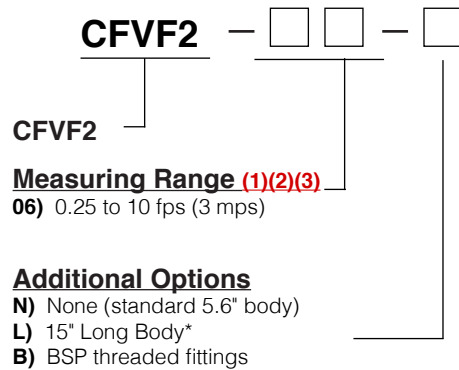
## Ordering Information

### FLO-CORP MODEL NUMBER BUILDER

For Assistance Call **877.356.5463**

Use the diagram below, working from left to right to construct your FLO-CORP Model Number. Simply match the category number to the corresponding box number.

**Example: CFVF2-06-N** CalFlo™ CFVF2 Thermal Mass Liquid Flow Meter, 0.25 to 13 fps Measuring Range with no additional options.



\*Long body option shown

**Ordering Notes:**

- (1) Select the best configuration based on your requirements.
- (2) This unit comes standard with a NPT (US) threaded union nut for installation.
- (3) Comes complete with 6.5' (2m) pre-wired cable and manual.