



CalFlo™ CFHM

THERMAL MASS LIQUID FLOW METER



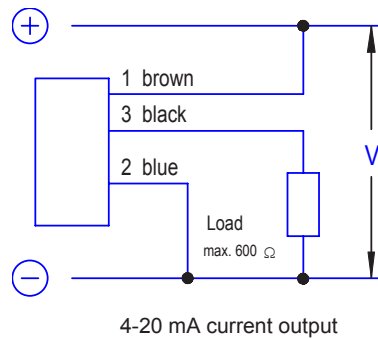
DESCRIPTION

Ideal for monitoring low flow rates, the CalFlo™ CFHM is a self-contained, thermal mass liquid flow meter that is ideal for measurement and control applications. The CFHM is field adjustable and provides a 4-20 mA output for flow rate. The hollow stainless steel tube acts as the sensing device and provides intrusion-free flow monitoring. Typical applications include chemical dosing, oil lubrication monitoring, food and beverage processing, light to medium viscosity fluids and a variety of other industrial applications. Select the appropriate configurations based on your application or contact our Application Specialist for additional assistance.

FEATURES & BENEFITS

- Compact, Rugged Industrial Design
- Self-Contained Flow Meter
- Ideal for Small Pipe Sizes
- Non-Intrusive Sensing
- Suitable for Liquids, Semi-Solids and a Wide Range of Corrosive Media
- Field Adjustable With a 4-20 mA Output
- No Moving Parts

CONNECTION DIAGRAM



SPECIFICATIONS

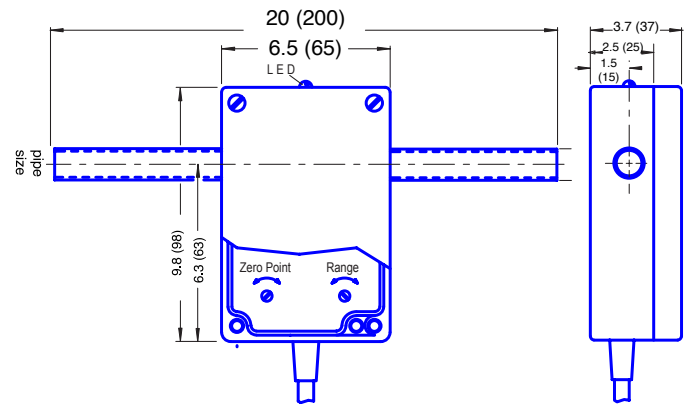
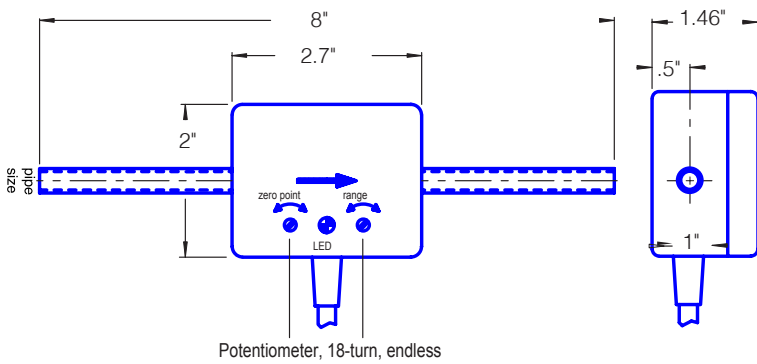


Sensor	
Service	Compatible liquids
Measuring Range	Continuously adjustable from 0.25-0.65 fps to 0.25-3.3 fps
Response Time	2-10 seconds
Repeatability	± 2% full scale
Temperature Drift	± 1.37°F (± 18.53°C)
Protection Rating	NEMA 4 (IP65)
Mechanical	
Sensor Material	Stainless steel (Std.) or Hastelloy®
Connection Size	1/8", 1/4", 1/2" 3/4"
Connection Type	Male NPT (Std.); Special Connection (Optional)
Enclosure Material	Makrolon®
Process Temperature	F: 14° to 176° C: -10° to 80°

Ambient Temperature	F: 14° to 140° C: -10° to 60°
Pressure	435 psi (30 bar)
Electrical	
Supply Voltage	24 VDC ±10%
Consumption	100 mA maximum
Output Current	4-20 mA
Loop Resistance	0-600 Ohms
Measuring Range Adjustment	The two potentiometers can be adjusted to set the measuring range and zero point. Operation within the measuring range is indicated by a green LED (within the range: ON; beyond the range: OFF)
Cable	
Cable Jacket Material	Oilflex
Cable Length	6.5 ft, 3-conductor 18 AWG

Note: Please Consult Factory for Special Requirements
*Data Based on Water

DIMENSIONS cm (mm)



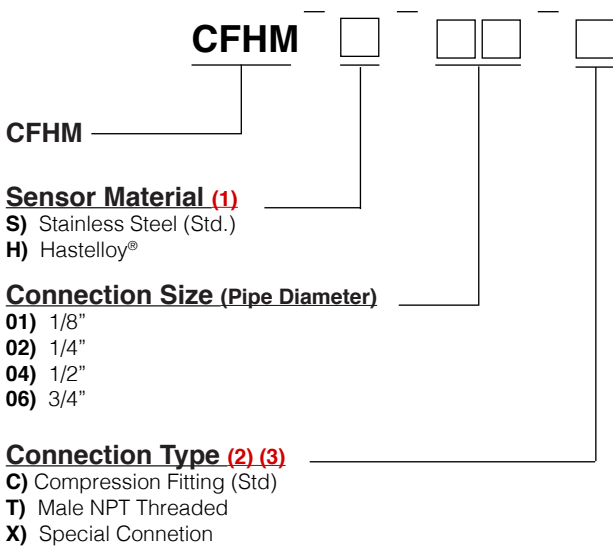
Ordering Information

FLO-CORP MODEL NUMBER BUILDER

For Assistance Call **877.356.5463**

Use the diagram below, working from left to right to construct your FLO-CORP Model Number.
Simply match the category number to the corresponding box number.

Example: CFHM-S-02-T CalFlo™ CFHM Thermal Mass Liquid Flow Meter with Stainless Steel Sensor Material, 1/4" Connection Size, Male NPT Connection



Ordering Notes:

- (1) Select the best configuration based on your requirements
- (2) If you require a Special Connection (X), please consult factory with your requirements
- (3) Comes complete with 6.5' (2m) pre-wired cable and manual

Specifications are subject to change without notice.